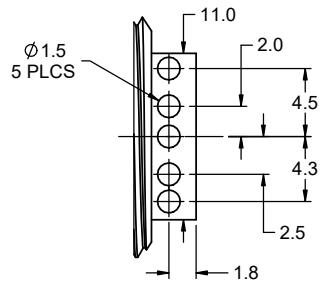
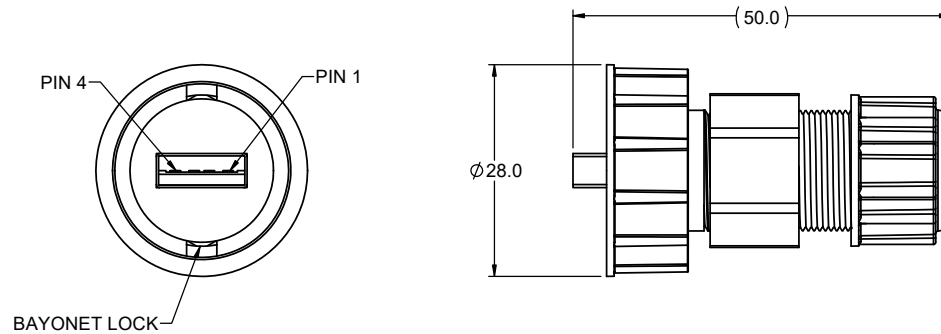
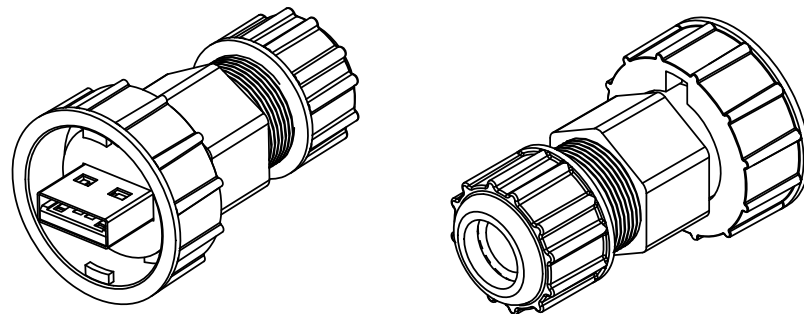
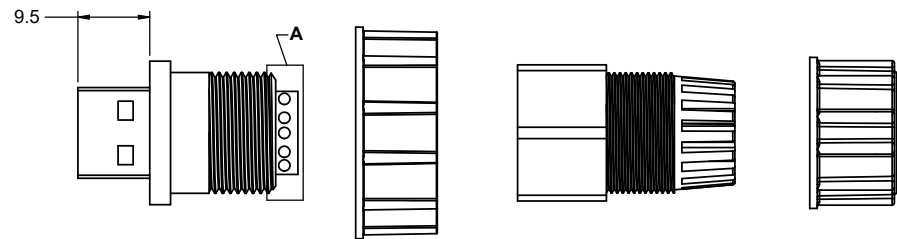




REVISIONS			
REV	DESCRIPTION, ECN, EAR NO.	DATE	APPD
C	PART NUMBE UPDATED	APR04/19	S.M.
D	NOTE UPDATED	APR12/19	S.M.



**DETAIL A
PCB LAYOUT
SCALE 4 : 1**



ORDERING CODE: MRU - A F 2 1 - 4 0 0 0

SERIES _____
STYLE _____
 A = USB 2.0 TYPE A
CONNECTOR TYPE _____
 M = MALE
CONNECTOR MOUNTING FEATURE _____
 2 = FIELD INSTALLABLE 180°
 LOCKING BAYONET TYPE
WIRE LENGTH _____
 00 = NO WIRE
COVER OPTION _____
 0 = NO COVER
TERMINATION _____
 4 = PCB FOR HARDWIRE
PLATING _____
 1 = GOLD AT MATING AREA STANDARD

NOTES:

- MATERIAL:** ALL MATERIALS ARE RoHS COMPLIANT PER EU DIRECTIVE 2011/65/EU & AMENDMENTS:
 - HOUSING, LOCK, RING & NUT: GLASS FILLED THERMOPLASTIC, UL FLAMMABILITY RATING 94V-0, BLACK
 - PCB: FR4 FIBER GLASS
 - GASKETS: SILICON RUBBER
 - CONTACT: COPPER ALLOY PLATED WITH GOLD OVER NICKEL IN MATING AREA
 - SHIELD: STAINLESS STEEL
- SPECIFICATIONS:**
 - NUMBER OF CONTACTS: 4
 - WIRE GAUGE: 24 AWG
 - INGRESS PROTECTION: IP67 / 68
 - MECHANICAL LIFE: 1500 MATING CYCLES
 - OPERATING TEMPERATURE: -45 - +85°C
 - DWV: 500VAC / 1 MINUTE @ SEA LEVEL
 - SPEED: 480 Mbps
 - CONTACT RESISTANCE: 30 MILLIOHMS MAX.
 - INSULATION RESISTANCE: 1000 MEGOHMS MIN.
 - CURRENT RATING: 1.5 A
 - MAX TORQUE FOR RUNNING THREAD: 0.5 IN-LBS MAX
 - MATING FORCES: MATING 35N MAX, UNMATING 10N MIN
- RECOMMENDED CABLE OD:** Ø3.5mm (.138") - Ø6.8mm (.268")
- PRODUCT SPEC #S6148C**

UNLESS SPECIFIED OTHERWISE	DRAWN	B COPPING	SEP7/18
PRIMARY UNITS MILLIMETERS	CHECKED	S.MUGAN	SEP7/18
SECONDARY	M.E. APPD	C.ZHONG	SEP8/18
REFERENCE IN PARENTHESES	Q.A. APPD		
GENERAL TOLERANCES	DWG APPR.	A.GREEN	SEP10/18
1 DECIMAL PLACE	ENG. REL. NO.	ECN 180082	
2 DECIMAL PLACES ±0.15	REF.		
3 DECIMAL PLACES	THIRD ANGLE PROJECTION		
ANGULAR DEGREES	DO NOT SCALE DRAWING		

Amphenol Canada Corp. Commercial Products	
MRU SERIES CONNECTOR, USB 2.0 TYPE A, BAYONET LOCK PLUG FOR HARDWIRE TERMINATION, RoHS COMPLIANT	
DWG. NO.	P-MRU-AM21-4000
REV	D
CODE ID NO.	03554
DWG SIZE:	X
SCALE:	2:1
SHEET	1 OF 1